

1



How to pack burned and/or sensitive objects

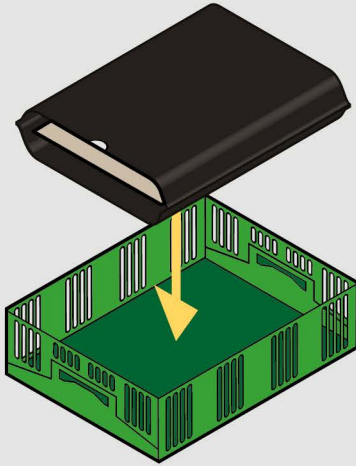
- Use padding: approx. 2mm thick cardboard covered by a plastic bag.
- Never stack objects on top of each other.
- Secure objects to prevent them from sliding sideways.
- Use a system for labelling boxes and their contents.
- Stick the fully completed label on the front of the box.
- Use pallets for storage and transportation.
- All labels must be visible when stacked on the pallets.

In the event of other forms of contamination, alternative packing methods may be required.

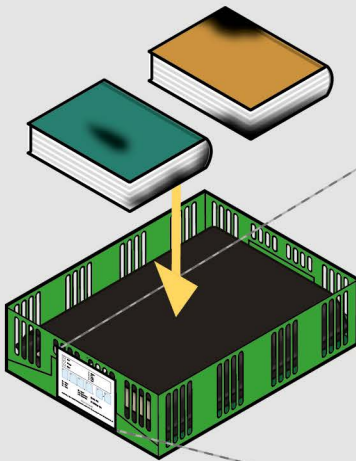
Contact docuSAVE.

+800 888 777 88
info@docusave.ch
www.docusave.ch

2



3



<input checked="" type="checkbox"/> Dry	<input type="checkbox"/> Faeces
<input type="checkbox"/> Damp	<input type="checkbox"/> Oil
<input type="checkbox"/> Wet	<input type="checkbox"/> Mold
	<input checked="" type="checkbox"/> Soot
	<input type="checkbox"/> Mud

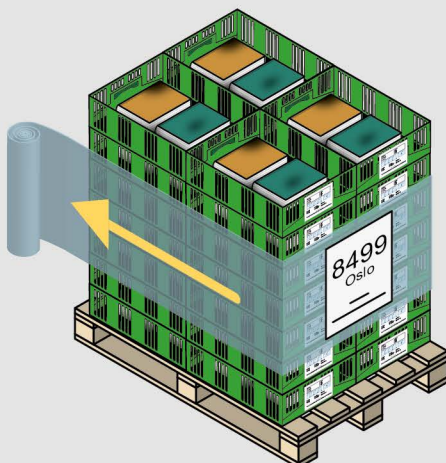
Ro	Rw	Ra	Sh	OS	OE
----	----	----	----	----	----

Ro = Room Sh = Shelf Box nr:
Rw = Row OS = Object Start Picture nr:
Ra = Rack OE = Object End

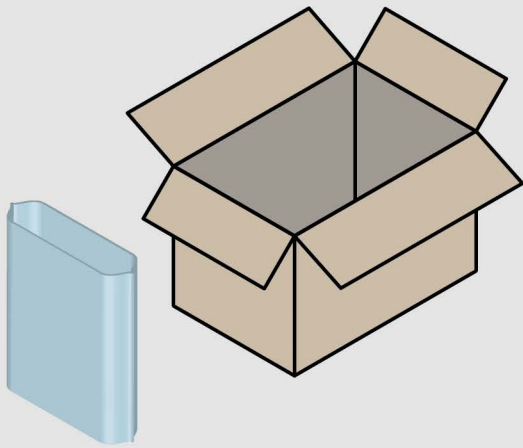
docuSAVE
PREVENTION SERVICE RESEARCH

Aarestrasse 29 3661 Uetendorf Switzerland | Tel +41 33 346 87 87 | www.docusave.ch | e-mail info@docusave.ch

4



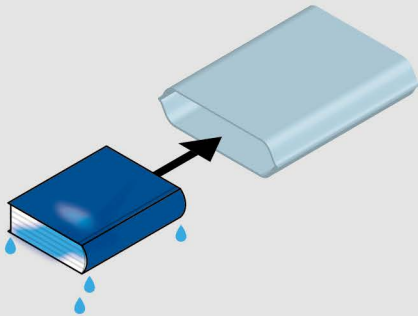
1



How to pack wet objects

- Use plastic bags larger than the objects to be packed.
- The opening of the plastic bag needs to point upwards, so the excess water is kept inside the bag.
- Make sure the excess water does not weaken the cardboard box.
- Stack objects from heavy to light, and from large to small.
- Smooth out any folds and uneven spots as they can leave marks on the objects.
- Use a system of labelling for the boxes and their contents.
- Stick the fully completed label on the front of the box.
- Use pallets for transportation.
- Stack the boxes rotationally for more stability.
- Stack 5 boxes per layer and a maximum of 5 layers per pallet.
- All labels must be visible when stacked on the pallet.

2

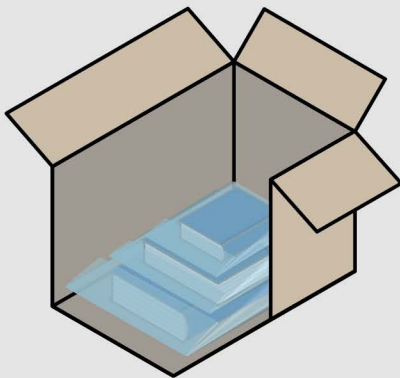


In the event of other forms of contamination, alternative packing methods may be required.

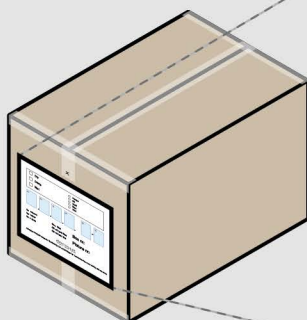
Contact docuSAVE.

+800 888 777 88
info@docusave.ch
www.docusave.ch

3



4



<input type="checkbox"/> Dry	<input type="checkbox"/> Faeces
<input type="checkbox"/> Damp	<input type="checkbox"/> Oil
<input checked="" type="checkbox"/> Wet	<input type="checkbox"/> Mold
	<input type="checkbox"/> Soot
	<input type="checkbox"/> Mud

Ro	Rw	Ra	Sh	OS	OE
----	----	----	----	----	----

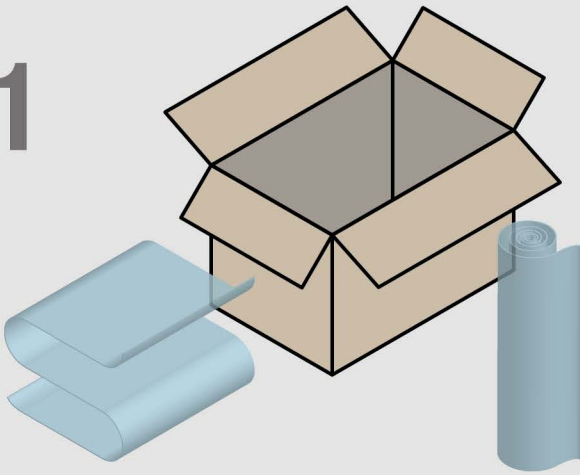
Ro = Room
Rw = Row
Ra = Rack

Sh = Shelf
OS = Object Start
OE = Object End

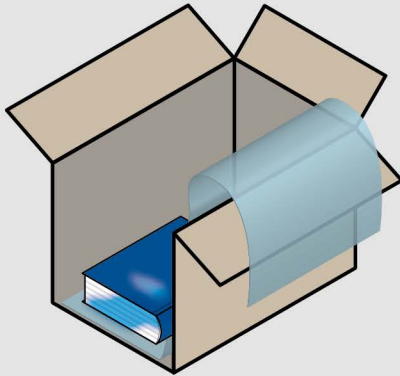
Box nr:

Picture nr:

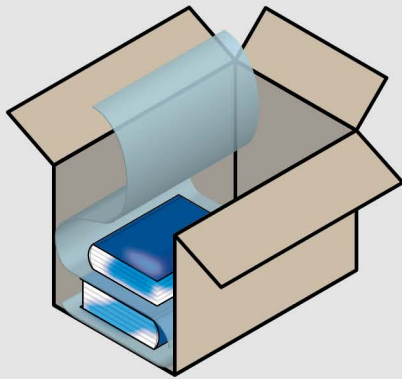
1



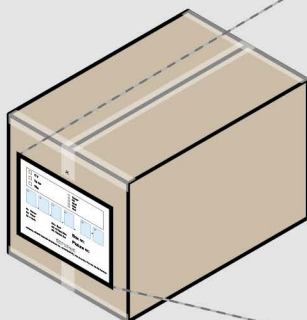
2



3



4



How to pack damp objects

- Use plastic foil approximately 2 meters in length.
- Adjust the width of the plastic foil to the width of the cardboard box.
- Stack objects from heavy to light, and from large to small while moving the plastic foil from one side to another.
- Verify excess water is at a minimum for this method.
- Smooth out any folds and uneven spots as they can leave marks on the objects.
- Use a system of labelling for the boxes and their contents.
- Stick the fully completed label on the front of the box.
- Use pallets for transportation.
- Stack the boxes rotationally for more stability.
- Stack 5 boxes per layer and a maximum of 5 layers per pallet.
- All labels must be visible when stacked on the pallet.

In the event of other forms of contamination, alternative packing methods may be required.

Contact docuSAVE.

+800 888 777 88
info@docusave.ch
www.docusave.ch

<input type="checkbox"/> Dry	<input type="checkbox"/> Faeces
<input checked="" type="checkbox"/> Damp	<input type="checkbox"/> Oil
<input type="checkbox"/> Wet	<input type="checkbox"/> Mold
	<input type="checkbox"/> Soot
	<input type="checkbox"/> Mud

Ro	Rw	Ra	Sh	OS	OE

Ro = Room
Rw = Row
Ra = Rack

Sh = Shelf
OS = Object Start
OE = Object End

Box nr:

Picture nr: